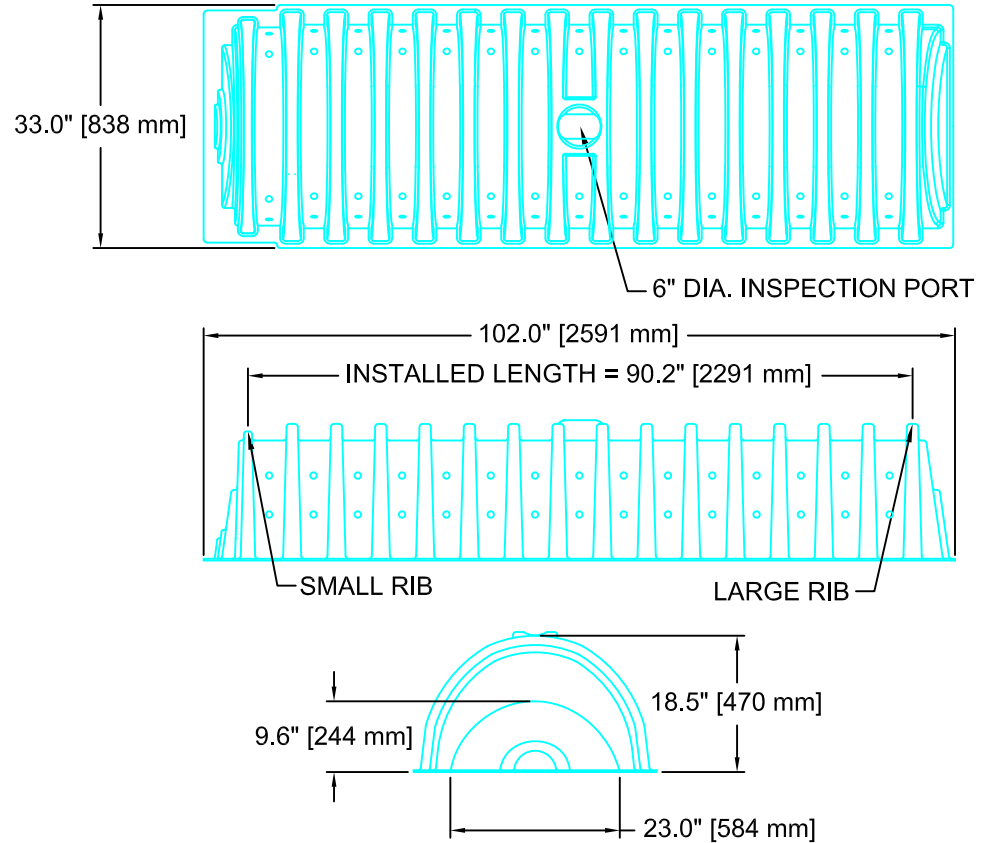


MODEL 150RHD STAND ALONE	
SMALL RIB	LARGE RIB
MODEL 150SHD STARTER	
SMALL RIB	LARGE RIB
MODEL 150IHD INTERMEDIATE	
SMALL RIB	LARGE RIB
MODEL 150EHD END	
SMALL RIB	LARGE RIB



CULTEC RECHARGER 150HD CHAMBER STORAGE = 2.65 CF/FT
 INSTALLED LENGTH ADJUSTMENT = 1.0'
 ALL RECHARGER 150HD HEAVY-DUTY UNITS ARE MARKED
 WITH A COLOR STRIPE FORMED INTO THE PART ALONG
 THE LENGTH OF THE CHAMBER.



CULTEC, Inc.
 Subsurface Stormwater Management Systems
 P.O. Box 280 PH: (203) 775-4416
 878 Federal Road PH: (800) 4-CULTEC
 Brookfield, CT 06804 FX: (203) 775-1462

NO.	DATE	REVISIONS

PROJECT NAME
 CITY, STATE
 ADDRESS 1
 ADDRESS 2

CULTEC RECHARGER 150HD CHAMBER 3-VIEW			
PROJECT NO:	PROJECT NO:	DATE:	07-18-07
DESIGNED BY:	CULTEC, INC.	DRAWN BY:	EJC
SCALE:	N.T.S.	SHEET NO:	1 of 1